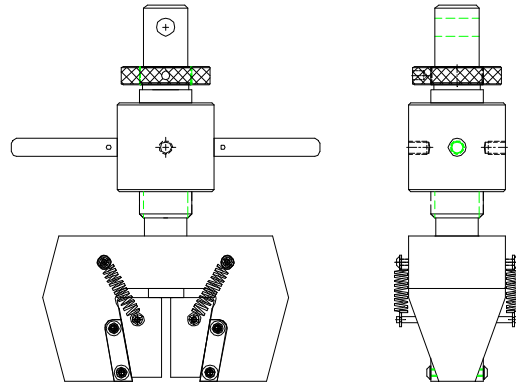
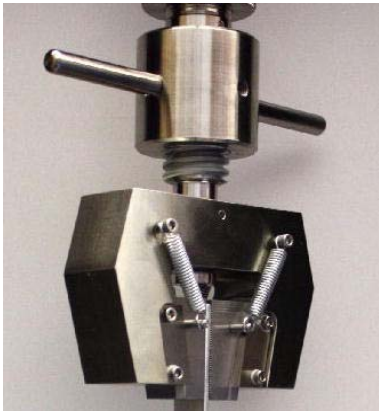


Standards:
 ASTM A370 - 19
 ASTM A931 - 18
 ASTM B557 - 02
 ASTM D638 - 14
 ASTM D3039 - 17
 ASTM D3479 - 19
 ASTM D3518 - 18
 ASTM D3950 - 10

Material Type:
 COMPOSITE

Type of Testing:
 GRIPS, TENSILE

TITAN SERIES 20 KIP WEDGE ACTION GRIPS FOR SPECIMENS UP TO 2" WIDE OR 3/4" ROUND



<u>Model No.</u>	<u>Specimen Size or Difference Between Fixtures</u>	<u>Construction</u>	<u>Temperature</u>
TITAN.20.2	20,000 lbs capacity	High strength steel	-120 to 250°F (-85 to 122°C)
ASTM.A0370.10	20,000 lbs capacity	High strength steel	-120 to 250°F (-85 to 122°C)
ASTM.A0931.22	20,000 lbs capacity	High strength steel	-120 to 250°F (-85 to 122°C)
ASTM.B0557.10	20,000 lbs capacity	High strength steel	-120 to 250°F (-85 to 122°C)
ASTM.D0638.10	20,000 lbs capacity	High strength steel	-120 to 250°F (-85 to 122°C)
ASTM.D3039.10	20,000 lbs capacity	High strength steel	-120 to 250°F (-85 to 122°C)
ASTM.D3479.10	20,000 lbs capacity	High strength steel	-120 to 250°F (-85 to 122°C)
ASTM.D3500.10	20,000 lbs capacity	High strength steel	-120 to 250°F (-85 to 122°C)
ASTM.D3518.10	20,000 lbs capacity	High strength steel	-120 to 250°F (-85 to 122°C)
ASTM.D3950.31	20,000 lbs capacity	High strength steel	-120 to 250°F (-85 to 122°C)
ASTM.D5083.10	20,000 lbs capacity	High strength steel	-120 to 250°F (-85 to 122°C)
ASTM.D5766.15	20,000 lbs capacity	High strength steel	-120 to 250°F (-85 to 122°C)
ASTM.D6742.10	20,000 lbs capacity	High strength steel	-120 to 250°F (-85 to 122°C)
ASTM.D7205.10	20,000 lbs capacity	High strength steel	-120 to 250°F (-85 to 122°C)
ASTM.D7565.10	20,000 lbs capacity	High strength steel	-120 to 250°F (-85 to 122°C)
ASTM.D7616.10	20,000 lbs capacity	High strength steel	-120 to 250°F (-85 to 122°C)
ASTM.E0008.10	20,000 lbs capacity	High strength steel	-120 to 250°F (-85 to 122°C)

Specimen:	Width	Up to 2" wide or 0.750" round
	Thickness	0.5" thick
Fixture:	Mounting	(2) 1.25" male clevis adapters
	Weight	50 lbs approximately
	Dimensions	9" x 9" x 22"
	Standard	Manufactured in compliance with ASTM A931, B557, D638, D3039, D3479, D3500, D3518, D3950, D5083, D5766, D6742, D7565 and D7616

QUOTE

Model No. TITAN.20.2 - TITAN Series 20,000 lbs Wedge Action Grips

Grips will accept replaceable grip faces for different size specimens up to 0.8" thick by 2" wide or 0.75" round. The initial clamping force is created by rotating the clamping collar with or without the handles. The grip faces are held in place with a retaining plate and spring. Supplied with (2) 1.25" male clevis adapters. Constructed of high strength steel with a protective plated finish. Grip faces sold separately. Manufactured in compliance with ASTM A931, B557, D638, D3039, D3479, D3500, D3518, D3950, D5083, D5766, D6742, D7565 and D7616.

Model No. TITAN.30.2 - TITAN Series 30,000 lbs Wedge Action Grips

Grips will accept replaceable grip faces for different size specimens up to 0.8" thick by 2" wide or 0.75" round. The initial clamping force is created by rotating the clamping collar with or without the handles. The grip faces are held in place with a retaining plate and spring. Supplied with (2) 1.25" male clevis adapters. Constructed of high strength steel with a protective plated finish. Grip faces sold separately. Manufactured in compliance ASTM A931, B557, D638, D3039, D3950, D5083, D5766, D6742.

ACCESSORIES

Diamond - 25 TPI

Model No. ACC.T2018 - Set of (4), 2" wide flat grip faces for 0" to 0.25" specimens

Model No. ACC.T2118 - Set of (4), 2" wide flat grip faces for 0.2" to 0.4" specimens

Model No. ACC.T2218 - Set of (4), 2" wide flat grip faces for 0.4" to 0.6" specimens

Model No. ACC.T2318 - Set of (4), 2" wide flat grip faces for 0.6" to 0.8" specimens

Serrated

Model No. ACC.TR2206 - Set of (4), 2" wide vee grip faces for 0.2" to 0.4" round

Model No. ACC.TR2406 - Set of (4), 2" wide vee grip faces for 0.4" to 0.6" round

Model No. ACC.TR2606 - Set of (4), 2" wide vee grip faces for 0.6" to 0.8" round

SPARE PARTS

Model No. SPA.T0010 - Extra Set of (2) Handles for Clamping Collar

Model No. SPA.T2012 - Extra Set of (4) Pins for Holding 2" Wide Grip Faces

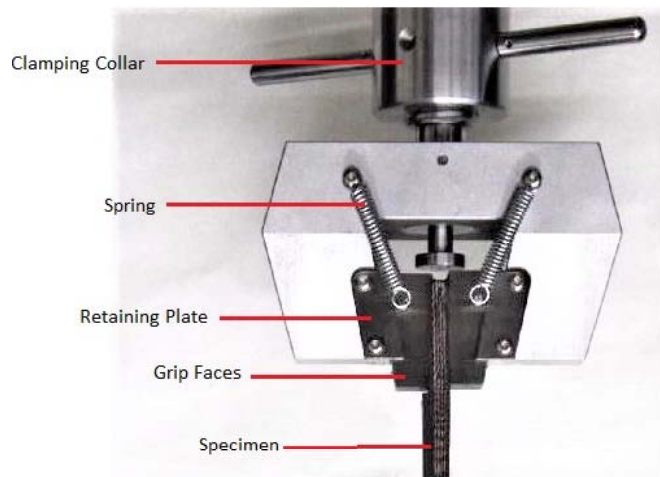
Model No. SPA.T0011 - Replacement TITAN.10 Grip Body Locking Pin

Model No. SPA.T0012 - Replacement TITAN.20 Grip Body Locking Pin

Model No. SPA.T0013 - Replacement TITAN.30 Grip Body Locking Pin

Model No. TITAN.00.03 - Replacement Set of (4) Standard Springs for Grip Faces

EXTRA PHOTOS:



COMMON SIZE ADAPTERS

Upper and Lower Mounting: 1.25" Male Clevis

Model No. M03S60 - 1.25" Male Clevis to 2"-12 Threaded Stud

Model No. M03S48 - 1.25" Male Clevis to 1.5"-12 Threaded Stud

Model No. M03S42 - 1.25" Male Clevis to 1.25"-12 Threaded Stud

Model No. M03S36 - 1.25" Male Clevis to 1"-14 Threaded Stud