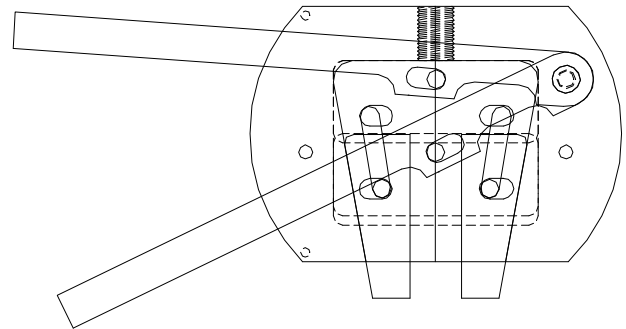


Standards:
ASTM A370 - 19
ASTM B0557 - 02
ASTM E8 - 01

Material Type:

Type of Testing:
TENSILE, GRIPS, WEDGE, MECHANICAL

5 KIP WEDGE ACTION GRIPS WITH SERRATED FACES



Model No.	Specimen Size or Difference Between Fixtures	Construction	Temperature
GRIP.20100.10	1" Wide x 1" Thick or 0.8" Round	High strength steel	-120 to 250°F (-85 to 122°C)
ASTM.A0370.60	1" Wide x 1" Thick or 0.8" Round	High strength steel	-120 to 250°F (-85 to 122°C)
ASTM.B0557.60	1" Wide x 1" Thick or 0.8" Round	High strength steel	-120 to 250°F (-85 to 122°C)
ASTM.E0008.60	1" Wide x 1" Thick or 0.8" Round	High strength steel	-120 to 250°F (-85 to 122°C)

Fixture:	Mounting	1/2"-20 studs and locking nuts
	Capacity	5,000 lbs (22.24 kN)
	Weight	18 lbs
	Dimensions	14" x 11" x 6"
	Standard	Manufactured in compliance with ASTM A370, B557 and E8

QUOTE

Model No. GRIP.20100.10 - 5,000 Pound Wedge Action Grips

Grips will accept replaceable grip faces for different size specimens up to 1" thick by 1" wide or 0.8" round. The wedge action allows the grip faces to create a positive lock on the specimen. The initial clamping force is created by a lever arm actuation.

Supplied with one set of flat grip faces with diamond double cut pattern for specimen thickness of 0 - 0.33". Mounting for the grips are 1/2"-20 studs and locking nuts. Grip set is constructed of high strength steel with a protective black oxide finish. Manufactured in compliance with ASTM A370, B557 and E8.

ACCESSORIES

Model No. W1118 - Set of (4), 1" Wide Faces for 0.33" to 0.66" Specimens - Diamond

Model No. W1218 - Set of (4), 1" Wide Faces for 0.66" to 1" Specimens - Diamond

Model No. WR1006 - Set of (4), 1" Wide Vee Faces for 0.1" to 0.25" Round - Serrated

Model No. WR1206 - Set of (4), 1" Wide Vee Faces for 0.2" to 0.4" Round - Serrated

Model No. WR1406 - Set of (4), 1" Wide Vee Faces for 0.4" to 0.6" Round - Serrated

Model No. WR1606 - Set of (4), 1" Wide Vee Faces for 0.6" to 0.8" Round - Serrated

SPARE PARTS

Model No. W1018 - Set of (4), 1" Wide Faces for 0" to 0.33" Specimens - Diamond

COMMON SIZE ADAPTERS

Upper and Lower Mounting: 1/2"-20 Stud and Locking Nut

Model No. M01C21 - 1/2" Male Clevis to 1/2"-20 Coupling

Model No. M02C21 - 5/8" Male Clevis to 1/2"-20 Coupling

Model No. M03C21 - 1.25" Male Clevis to 1/2"-20 Coupling

Model No. M12C21 - 12mm Male Clevis to 1/2"-20 Coupling

Model No. S36C21 - 1"-14 Stud to 1/2"-20 Coupling

EXTRA PHOTOS: