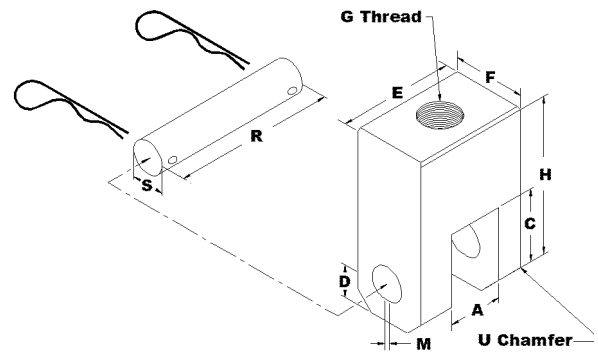


**Standards:**  
 ASTM D5045 - 14  
 ASTM D6068 - 18  
 ASTM E399 - 17  
 ASTM E647 - 15  
 ASTM E1820 - 18  
 ASTM E1922 - 22

**Material Type:**  
 METAL

**Type of Testing:**  
 TENSILE, CLEVIS, FRACTURE

## COMPACT TENSION LOADING CLEVIS SET - 3 MATERIALS AVAILABLE



<u>Model No.</u>	<u>Specimen Size or Difference Between Fixtures</u>	<u>Construction</u>	<u>Temperature</u>
ASTM.D5045.XX	D-shape pin hole	<b>3 Material Options Available:</b>	
ASTM.D6068.XX	Round	17-4 PH	-240 to 600°F (-152 to 318°C)
ASTM.E0399.XX	D-shape pin hole	Maraging 300	-240 to 600°F (-152 to 318°C)
ASTM.E0647.XX	D-shape pin hole	Inconel 718	Up to 1800°F
ASTM.E1820.XX	Square, Round or D-shape pin hole		
ASTM.E1922.XX	D-shape pin hole		

Specimen: Width 0.4" to 4"  
 Length Any  
 Thickness 0.4" - 8"

Fixture: Mounting Threaded couplings - see chart  
 Dimensions See chart  
 Standard Manufactured in compliance with ASTM D5045, D6068, E399, E647, E1820 and E1922

## **QUOTE**

Model No. ASTM.E0399.XX - Compact Tension Loading Clevis Set (**3 Materials Available**)

(B) Specimen Width =  
(W) Specimen Length =  
Loading Pin Diameter =  
Clevis Thread Size =  
Pin Hole Shaped = D-shape

Precision machined compact tension loading clevis set of (2) with loading pins and retaining hairpins. Each clevis is supplied with a female thread for attachment with a loading stud. Each clevis is constructed of (**available in 3 different materials**) and manufactured in compliance with ASTM D5045, D6068, E399, E647, E1820 and E1922.

## **ACCESSORIES**

Model No.SPA.E0399.XX.XXX - Extra set of (4) Spacers for 0.118" Wide Specimen on ASTM.E0399.XX

## **SPARE PARTS**

Model No. SPA.E0399.XX01 - Extra Set of (2) (S) Diameter Loading Pins Made From XXX Material

Model No.SPA.E0399.XX02 - Extra Set of (4) Retaining Hairpin Clips for ASTM.E0399.XX

## **COMMON SIZE ADAPTERS**

### **Lower and Upper Mounting: XX Female Coupling**

Model No. M03SXX - 1.25" Male Clevis to (G) Threaded Stud

Model No. S48SXX - 1.5"-12 to (G) Threaded Step Stud

Model No. S42SXX - 1.25"-12 to (G) Threaded Step Stud

Model No. S36CXXA - 1"-14 to (G) Threaded Reducer

Model No. LNXX - (G) Threaded Locking Nut with Knurled OD