

Standards:

ASTM D229 - 01  
ASTM D790 - 17  
ASTM D6272 - 02  
ISO 178:2001

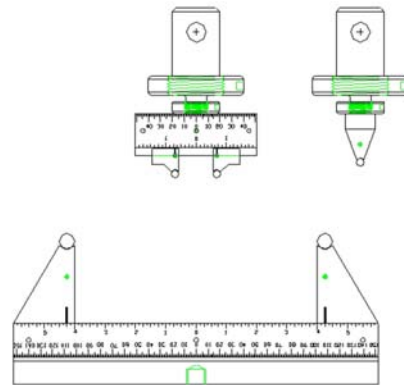
Material Type:

PLASTIC , ELECTRICAL INSULATION

Type of Testing:

FLEXURE, COMPRESSION

## FLEXURE FIXTURE FOR UP TO 12" SPANS AND 2" WIDE



Model No.

ASTM.D0229.25  
ASTM.D0790.10

Specimen Size or Difference Between Fixtures

Up to 2" wide and thick, up to 12" long  
Up to 2" wide and thick, up to 12" long

Construction

Stainless steel  
Stainless steel

Temperature

-240 to 600°F (-152 to 318°C)  
-240 to 600°F (-152 to 318°C)

ASTM.D6272.10  
ISOS.00178.10

Up to 2" wide and thick, up to 12" long  
Up to 2" wide and thick, up to 12" long

Stainless steel  
Stainless steel

-240 to 600°F (-152 to 318°C)  
-240 to 600°F (-152 to 318°C)

Fixture:	Mounting	Top: 12mm male clevis Bottom: 5/8"-18 coupling
	Capacity	8,000 lbs
	Weight	22 lbs approximately
	Dimensions	Assembled - 3" x 13" x 9"
	Standard	Manufactured in compliance with ASTM D229, D790, D6272 and ISO 178

## **QUOTE**

### **Model No. ASTM.D0790.10** - Three and Four Point Loading Flexure Fixture Up to 12" Spans and 2" Wide

The fixture is supplied with 0.125" radius (0.25" diameter) heat treated pins which are held in an alignment groove with O-rings. The center positions of the loading pins are scribed in the pin support which runs along a center finding scale on the loading rails.

### **Model No. ASTM.D6272.10** - Three and Four Point Flexure Fixture Up To 12" Spans and 2" Wide

The fixture is supplied with 5mm radius (10mm diameter) heat treated pins which are held in an alignment groove with O-rings. The center positions of the loading pins are scribed in the pin anvil which runs along a center finding scale on the loading rails.

## **All Fixture Information**

Support Base - 12" (304.8mm) long by 2" (50.4mm) wide with a T-slot running the length of the base. The upper and lower surfaces are ground flat and parallel. The support block separation is measured along a center finding scale located on the the front surface of the support base.

Specimen Supports - Specimen support spans continuously adjustable from 1/2" (12.7mm) up to 12" (304.8mm). 2" wide by 3" tall with alignment rails which fit in the T-slotted support base. The center position of the loading pin is indicated by a scribe line which runs down the side of the support to the center finding scale. The supports are free to slide anywhere along the support base and may be reversed for short and long spans.

The fixture comes with a 12mm male clevis for upper mounting and a 5/8"-18 threaded coupling for lower mounting to your testing machine. The fixture can handle 8,000 lbs capacity and is assembled 3" x 13" x 9". The fixture is constructed from stainless steel and is manufactured in compliance with ASTM D229, D790, D6272 and ISO 178.

## **ACCESSORIES**

Model No. ACC.D0790.1001 - Extra Set of (3) 1/4" Radius (1/2" Diameter) Loading Pins

Model No. ACC.D0790.1002 - Extra Set of (3) 3/16" Radius (3/8" Diameter) Loading Pins

Model No. ACC.D0790.1003 - Extra Set of (3) 1/8" Radius (1/4" Diameter) Loading Pins

Model No. ACC.D6272.1004 - Extra Set of (4) 1/4" Radius (1/2" Diameter) Loading Pins

Model No. ACC.D6272.1005 - Extra Set of (4) 3/16" Radius (3/8" Diameter) Loading Pins

Model No. ACC.D6272.1006 - Extra Set of (4) 1/8" Radius (1/4" Diameter) Loading Pins

Model No. ACC.D6272.1007 - Extra Set of (4) 1/16" Radius (1/8" Diameter) Loading Pins

## **SPARE PARTS**

Model No. SPA.D0790.1001 - 12mm Male Clevis Top Adapter

Model No. SPA.D0790.1002 - Extra 3 Point Loading Head with 1/2"-20 Coupling

Model No. SPA.D0790.1003 - Replacement for Bottom Rail

Model No. SPA.D0790.1004 - Full Replacement Set for 3 Point Testing with (0.125" Radius) 0.25" Diameter and 2" Wide Rollers Including: Rollers, Supports and Screws

Model No. SPA.D0790.1005 - Extra Set of 3 (0.125" Radius) 0.25" Diameter Loading Pins

Model No. SPA.D0790.1006 - Set of (4) Nuts

Model No. SPA.D6272.1001 - Extra 4 Point Loading Head with 1/2"-20 Coupling

Model No. SPA.D6272.1002 - Full Replacement Set for 4 Point Testing with (0.125" Radius) 0.25" Diameter and 2" Wide Rollers Including: Rollers, Supports and Screws

Model No. SPA.D6272.1003 - Extra Set of 4 (0.125" Radius) 0.25" Diameter Loading Pins

## **COMMON SIZE ADAPTERS**

### **Upper Mounting: 12mm Male Clevis**

Model No. M12M01 - 12mm Male Clevis to 1/2" Male Clevis

Model No. M12M02 - 12mm Male Clevis to 5/8" Male Clevis

Model No. M12M03 - 12mm Male Clevis to 1.25" Male Clevis

Model No. M12S48 - 12mm Male Clevis to 1.5"-12 Threaded Stud

Model No. M12S42 - 12mm Male Clevis to 1.25"-12 Threaded Stud

Model No. M12S36 - 12mm Male Clevis to 1"-14 Threaded Stud

### **Lower Mounting: 5/8"-18 Threaded Coupling**

Model No. M01S27 - 1/2" Male Clevis to 5/8" -18 Threaded Stud

Model No. M02S27 - 5/8" Male Clevis to 5/8" -18 Threaded Stud

Model No. M03S27 - 1.25" Male Clevis to 5/8" -18 Threaded Stud

Model No. M12S27 - 12mm Male Clevis to 5/8" -18 Threaded Stud

Model No. S36S27 - 1" -14 to 5/8" -18 Threaded Step Stud

Model No. LN27 - 5/8" -18 Threaded Locking Nut with Knurled OD

**EXTRA PHOTOS:**

