

**Standards:**

ASTM C581 - 03  
ASTM D790 - 17  
ASTM D5572 - 99  
ASTM D6272 - 17  
ASTM D7264 - 21  
ISO 178:2001

**Material Type:**

PLASTIC, WOOD, COMPOSITE

**Type of Testing:**

FLEXURE, COMPRESSION

## FLEXURE FIXTURE FOR UP TO 24" SPANS AND 2" WIDE



**Model No.**

ASTM.C0581.30  
ASTM.D0790.30  
ASTM.D7264.10

**Specimen Size**

3 point loading nose  
3 point loading nose  
3 point loading nose

**Construction**

Stainless steel  
Stainless steel  
Stainless steel

**Temperature**

-240 to 600°F (-152 to 318°C)  
-240 to 600°F (-152 to 318°C)  
-240 to 600°F (-152 to 318°C)

ISOS.00178.20

3 point loading nose

Stainless steel

-240 to 600°F (-152 to 318°C)

ASTM.D5572.10  
ASTM.D6272.20  
ASTM.D7264.20

4 point loading nose  
4 point loading nose  
4 point loading nose

Stainless steel  
Stainless steel  
Stainless steel

-240 to 600°F (-152 to 318°C)  
-240 to 600°F (-152 to 318°C)  
-240 to 600°F (-152 to 318°C)

Specimen: Width Any width up to 2"  
Thickness Any thickness up to 2"  
Length Any length up to 24"

Fixture: Mounting 5/8"-18 coupling  
Capacity 8,000 lbs (35.58 kN)  
Weight 40 lbs approximately  
Dimensions Assembled - 24" x 3" x 12" approximately  
Standard Manufactured in compliance with ASTM C581, D790, D5572, D6272, D7264 and ISO 178

## **QUOTE**

Model No. ASTM.D0790.30 - Three Point Flexure Fixture For Up To 24" Spans and 2" Wide

**Three Point Loading Head** -The fixture is supplied with 0.125" radius (0.25" diameter) heat treated pins which are held in an alignment groove with O-rings. The center positions of the loading pins are scribed in the pin support which runs along a center finding scale on the loading rail.

Model No. ISOS.00178.20 - Three Point Flexure Fixture For Up To 24" Spans and 2" Wide

**Three Point Loading Head** -The fixture is supplied with 5mm radius (10mm diameter) heat treated pins which are held in an alignment groove with O-rings. The center positions of the loading pins are scribed in the pin support which runs along a center finding scale on the loading rail.

Model No. ASTM.D6272.20 - Four Point Flexure Fixture Up To 24" Spans and 2" Wide

**Four Point Loading Head** - 2" wide by with two adjustable loading pin anvils. The loading rail allows the pin anvils to be adjusted to any loading span from 1/2" to 3". The pin supports are channeled to ensure proper alignment to the loading rail. The is supplied with 0.125" radius (0.25" diameter) heat treated pins which are held in an alignment groove with O-rings. The center positions of the loading pins are scribed in the pin anvil which runs along a center finding scale on the loading rail.

## **All Fixture Descriptions**

**Support Base** - 24" (304.8mm) long by 2" (50.4mm) wide with a T-slot running the length of the base. The upper and lower surfaces are ground flat and parallel. The support block separation is measured along a center finding scale located on the the front surface of the support base.

**Specimen Supports** - Specimen support spans continuously adjustable from 1/2" (12.7mm) up to 12" (304.8mm). 2" wide by 3" tall with alignment rails which fit in the T-slotted support base. The center position of the loading pin is indicated by a scribe line which runs down the side of the support to the center finding scale. The supports are free to slide anywhere along the support base and may be reversed for short and long spans.

The fixture comes with 5/8"-18 threaded couplings for mounting to your testing machine. The fixture can handle 8,000 lbs capacity. Fixture is manufactured in compliance with ASTM C581, D790, D5572, D6272, D7264 and ISO 178.

## **ACCESSORIES**

Model No. ACC.D0790.1002 - Extra Set of (3) 3/16" Radius (3/8" Diameter) HT Loading Pins

Model No. ACC.D0790.1003 - Extra Set of (3) 1/8" Radius (1/4" Diameter) HT Loading Pins

Model No. ACC.00178.2001 - Extra Set of (3) 5mm Radius (10mm Diameter) HT Loading Pins

Model No. ACC.D6272.1004 - Extra Set of (4) 5mm Radius (10mm Diameter) HT Loading Pins

Model No. ACC.D6272.1005 - Extra Set of (4) 3/16" Radius (3/8" Diameter) HT Loading Pins

Model No. ACC.D6272.1006 - Extra Set of (4) 1/8" Radius (1/4" Diameter) HT Loading Pins

## **SPARE PARTS**

Model No. SPA.D0790.1001 - Extra Set of (3) 1/4" Radius (1/2" Diameter) HT Loading Pins

Model No. SPA.D0790.1002 - Extra 3 Point Loading Head with a 1/4" Radius Roller

Model No. SPA.D0790.1003 - 3 Point Head and Supports with a 1/4" Radius Rollers

Model No. SPA.00178.2001 - Extra 3 Point Loading Head with a 5mm Radius Roller

Model No. SPA.D6272.1001 - Extra Set of (4) 1/4" Radius (1/2" Diameter) HT Loading Pins

Model No. SPA.D6272.1002 - Extra 4 Point Loading Head with a 1/4" Radius Rollers

Model No. SPA.D6272.1003 - 4 Point Head and Supports with a 1/4" Radius Rollers

## **COMMON SIZE ADAPTERS**

### **Upper Mounting: 12mm Male Clevis**

Model No. M12M01 - 12mm Male Clevis to 1/2" Male Clevis

Model No. M12M02 - 12mm Male Clevis to 5/8" Male Clevis

Model No. M12M03 - 12mm Male Clevis to 1.25" Male Clevis

Model No. M12S48 - 12mm Male Clevis to 1.5"-12 Threaded Stud

Model No. M12S42 - 12mm Male Clevis to 1.25"-12 Threaded Stud

Model No. M12S36 - 12mm Male Clevis to 1"-14 Threaded Stud

### **Lower Mounting: 5/8"-18 Threaded Coupling**

Model No. M01S27 - 1/2" Male Clevis to 5/8" -18 Threaded Stud

Model No. M02S27 - 5/8" Male Clevis to 5/8" -18 Threaded Stud

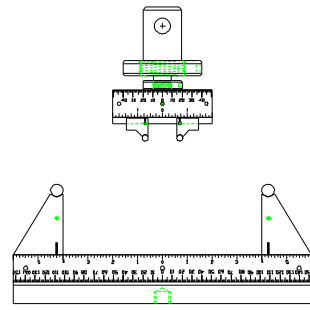
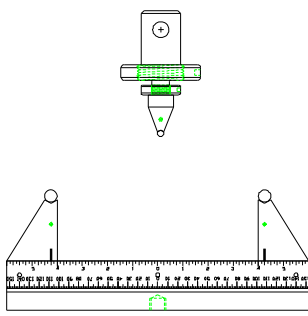
Model No. M03S27 - 1.25" Male Clevis to 5/8" -18 Threaded Stud

Model No. M12S27 - 12mm Male Clevis to 5/8" -18 Threaded Stud

Model No. S36S27 - 1" -14 to 5/8" -18 Threaded Step Stud

Model No. LN27 - 5/8" -18 Threaded Locking Nut with Knurled OD

**EXTRA PHOTOS:**



**SPA.D6272.1003**