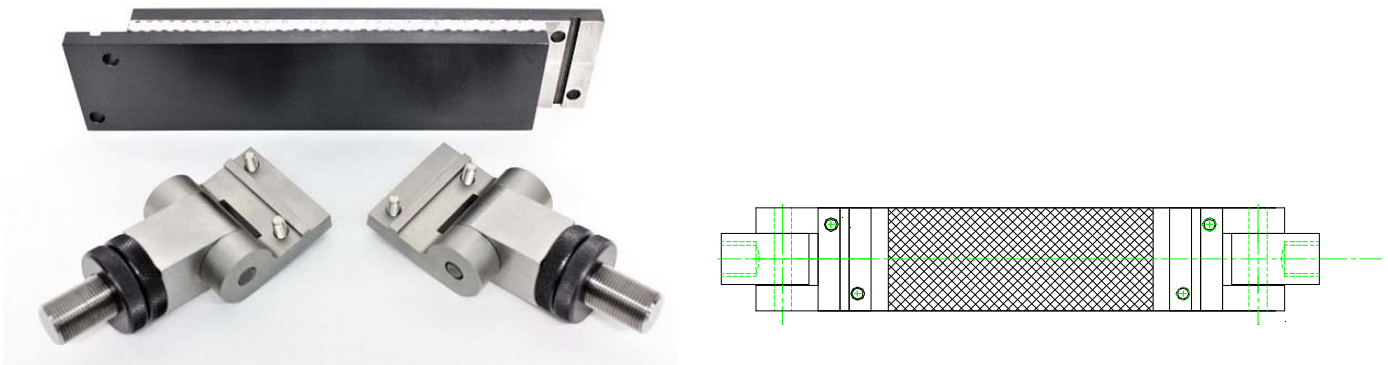


**Standards:**  
ASTM C273 - 11  
ASTM C394 - 16  
ISO 1922

**Material Type:**  
ADHESIVE

**Type of Testing:**  
TENSILE, SHEAR

## SANDWICH FLATWISE PLANE SHEAR FIXTURE (TENSILE MODE)



<b>Model No.</b>	<b>Specimen Size or Difference Between Fixtures</b>	<b>Construction</b>	<b>Temperature</b>
ASTM.C0273.10 ASTM.C0394.10	Up to 3" wide, 3/4" thick and 9" long Up to 3" wide, 3/4" thick and 9" long	Stainless steel with (AL) plates Stainless steel with (AL) plates	-120 to 250°F (-85 to 122°C) -120 to 250°F (-85 to 122°C)
ASTM.C0273.14 ASTM.C0394.14 MILS.00401.20	Up to 3" wide, 3/4" thick and 9" long Up to 3" wide, 3/4" thick and 9" long Up to 3" wide, 3/4" thick and 9" long	Stainless steel with (SS) plates Stainless steel with (SS) plates Stainless steel with (SS) plates	-240 to 600°F (-152 to 318°C) -240 to 600°F (-152 to 318°C) -240 to 600°F (-152 to 318°C)
ISOS.01922.10	250mm long, 50mm wide, up to 25mm thick	Stainless steel and (CS) plates	-120 to 250°F (-85 to 122°C)

Fixture:	Mounting	1"-14 threaded studs and locking nuts
	Capacity	20,000 lbs (88.9 kN)
	Weight	32 lbs approximately
	Dimensions	Assembled 3" x 2.75" x 18.5"
	Bonding	Supplied with 3 sets of bonding plates
	Standard	Manufactured in compliance with ASTM C273, C394, ISO 1922 and MIL-STD-401B

## **QUOTE**

Model No. ASTM.C0273.10 - Sandwich Flatwise Plane Shear Fixture (Tensile Mode)

For specimen configurations up to 9" long, 3" wide and up to 3/4" thick. The 3 sets of (2) loading plates are constructed from aluminum with a protective black anodized finish and one machined bonding surface. Supplied with 1"-14 threaded studs and locking nuts. Temperature range -120 to 250°F (-85 to 122°C). Fixture is constructed from stainless steel and aluminum. Manufactured in compliance with ASTM C273 and C394.

Model No. ASTM.C0273.14 - Sandwich Flatwise Plane Shear Fixture (Tensile Mode)

For specimen configurations up to 9" long, 3" wide and up to 3/4" thick. The 3 sets of (2) loading plates are constructed from stainless steel. Supplied with 1"-14 threaded studs and locking nuts. Temperature range -240 to 600°F (-152 to 318°C). Fixture is constructed from stainless steel. Manufactured in compliance with ASTM C273, C394 and MIL-STD-401B

Model No. ISOS.01922.10 - Sandwich Flatwise Plane Shear Fixture Procedure A and B

For specimen configurations up to 250mm long, 50mm wide and up to 25mm thick. The 3 sets of (2) loading plates are constructed from high strength steel with a protective black anodized finish and one machined bonding surface. Supplied with 1"-14 threaded studs and locking nuts. Temperature range -120 to 250°F (-85 to 122°C). Fixture is constructed from stainless steel and high strength steel. Manufactured in compliance with ISO 1922 Procedure A and B.

## **ACCESSORIES**

Model No. ACC.C0273.1002 - Set of (2) High Strength Steel Bonding Plates 9" by 3" Wide

Model No. ACC.C0273.0005 - Optional Dial Indicator Displacement Gauge

## **SPARE PARTS**

Model No. SPA.C0273.1001 - Set of (2) Aluminum Bonding Plates 9" by 3" Wide

Model No. SPA.C0273.1401 - Set of (2) Stainless Steel Bonding Plates 9" by 3" Wide

Model No. SPA.01922.1001 - Set of (2) High Strength Steel Plates 330mm by 50mm Wide

Model No. SPA.01922.1002 - Set of (3) High Strength Steel Plates 330mm by 50mm Wide

## **COMMON SIZE ADAPTERS**

### **Upper and Lower Mounting: 1"-14 Threaded Studs**

Model No. M01C36 - 1/2" Male Clevis to 1"-14 Coupling

Model No. M02C36 - 5/8" Male Clevis to 1"-14 Coupling

Model No. M03C36 - 1.25" Male Clevis to 1"-14 Coupling

Model No. M12C36 - 12mm Male Clevis to 1"-14 Coupling

**EXTRA PHOTOS:**

