

Standards:

ASTM A370 - 19

ASTM B557 - 02

ASTM E8 - 01

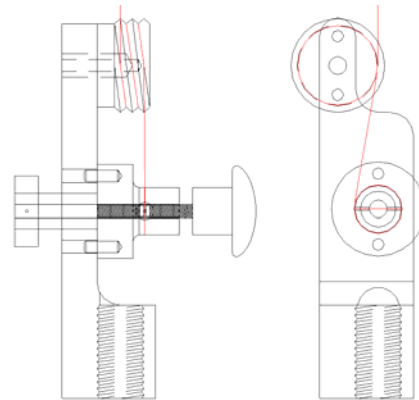
Material Type:

WIRE

Type of Testing:

TENSILE, GRIPS, SNUBBING

1,000 LBS CAPACITY SNUBBING TYPE WIRE TENSION GRIPS FOR UP TO 0.1" WIRE



<u>Model No.</u>	<u>Specimen Size or Difference Between Fixtures</u>	<u>Construction</u>	<u>Temperature</u>
ASTM.A0370.67	Up to 0.1" diameter	High strength steel	-120 to 250°F (-85 to 122°C)
ASTM.B0557.67	Up to 0.1" diameter	High strength steel	-120 to 250°F (-85 to 122°C)
ASTM.E0008.67	Up to 0.1" diameter	High strength steel	-120 to 250°F (-85 to 122°C)
GRIP.40100.10	Up to 0.1" diameter	High strength steel	-120 to 250°F (-85 to 122°C)

Fixture:	Mounting	1/2"-20 threaded couplings
	Capacity	1,000 lbs
	Weight	Approximately 20 lbs
	Dimensions	2" x 12" x 2"
	Standard	Manufactured in compliance with ASTM A370, B557 and E8

QUOTE

Model No. ASTM.A0370.67 - 1,000 lbs Capacity Snubbing Type Wire Tension Grips Up to 0.1" Wire Grips will accept wire, rod and bar specimens with diameters up to 0.1". The grip has a stationary positive screw clamp to secure the ends of the test specimen. Supplied with 1/2"-20 threaded couplings for mounting purposes. Constructed of high strength steel with a protective black oxide finish and can handle a temperature range of -120 to 250°F (-85 to 122°C). Manufactured in compliance with ASTM A370, B557 and E8.

ACCESSORIES

No accessories available for this fixture

SPARE PARTS

Please contact us for spare or replacement parts

COMMON SIZE ADAPTERS

Upper and Lower Mounting: 1/2"-20 Female Coupling

Model No. M01S21 - 1/2" Male Clevis to 1/2"-20 Threaded Stud
Model No. M02S21 - 5/8" Male Clevis to 1/2"-20 Threaded Stud
Model No. M03S21 - 1.25" Male Clevis to 1/2"-20 Threaded Stud
Model No. M12S21 - 12mm Male Clevis to 1/2"-20 Threaded Stud
Model No. S36S21 - 1"-14 to 1/2"-20 Threaded Step Stud
Model No. LN21 - 1/2"-20 Threaded Locking Nut with Knurled OD