

Standards:

ASTM A370 - 19
ASTM B557 - 02
ASTM D2256 - 02
ASTM E8 - 01

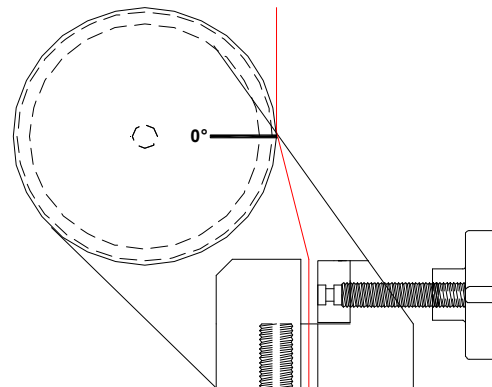
Material Type:

WIRE, YARN, ROPE

Type of Testing:

TENSILE, GRIPS, SNUBBING

5,000 LBS CAPACITY SNUBBING TYPE WIRE TENSION GRIPS FOR UP TO 1/4" WIRE



Model No.

ASTM.A0370.61
ASTM.B0557.61
ASTM.D2256.10
ASTM.E0008.61
GRIP.40300.11

Specimen Size or Difference Between Fixtures

1/4" Diameter
1/4" Diameter
1/4" Diameter
1/4" Diameter
1/4" Diameter

Construction

High strength steel
High strength steel
High strength steel
High strength steel
High strength steel

Temperature

-120 to 250°F (-85 to 122°C)
-120 to 250°F (-85 to 122°C)
-120 to 250°F (-85 to 122°C)
-120 to 250°F (-85 to 122°C)
-120 to 250°F (-85 to 122°C)

Fixture:	Mounting	1/2"-20 threaded couplings
	Capacity	5,000 lbs (22.24 kN)
	Weight	Approximately 20 lbs
	Dimensions	2" x 12" x 2"
	Standard	Manufactured in compliance with ASTM A370, B557, D2256 and E8

QUOTE

Model No. ASTM.A0370.61 - 5,000 lbs Snubbing Type Wire Tension Grips for up to 1/4" Wire Grips that will accept specimens with diameters up to 1/4". The grip has a stationary positive screw clamp to secure the ends of the test specimen. The specimen can be wrapped around the 4" diameter capstans 3 times. Supplied with 1/2"-20 threaded couplings for mounting. Constructed of high strength steel with a protective finish and can handle a temperature range of -120 to 250°F (-85 to 122°C). Manufactured in compliance with ASTM A370, B557, D2256 and E8.

ACCESSORIES

There are no accessories available for this fixture

SPARE PARTS

Please contact us for spare or replacement parts

COMMON SIZE ADAPTERS

Upper and Lower Mounting: 1/2"-20 Female Coupling

Model No. M01S21 - 1/2" Male Clevis to 1/2"-20 Threaded Stud
Model No. M02S21 - 5/8" Male Clevis to 1/2"-20 Threaded Stud
Model No. M03S21 - 1.25" Male Clevis to 1/2"-20 Threaded Stud
Model No. M12S21 - 12mm Male Clevis to 1/2"-20 Threaded Stud
Model No. S36S21 - 1"-14 to 1/2"-20 Threaded Step Stud
Model No. LN21 - 1/2"-20 Threaded Locking Nut with Knurled OD