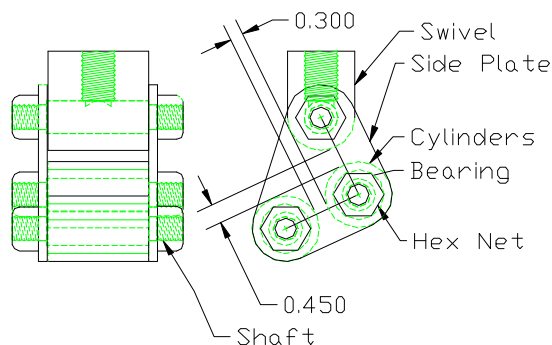
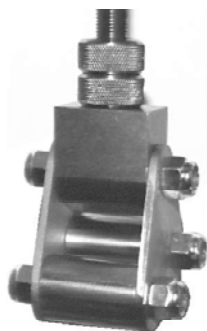


FLOATING ROLLER PEEL RESISTANCE FIXTURE (1.5" WIDE SPECIMEN)



Specimen:	Width	1.50"
	Thickness	Up to 0.25"
	Length	10.0"
Fixture:	Construction	Stainless steel
	Temperature	-120 to 250°F (-85 to 122°C)
	Mounting	Top - 1/2"-20 threaded coupling
		Bottom - tensile grip (not included)
	Capacity	2,000 lbs (8.8 kN)
	Weight	2 lbs approximately
	Dimensions	Assembled - 2" x 2" x 4"
	Standard	Manufactured in accordance with ASTM D3167

Model No. ASTM.D3167.11 - Roller Drum Peel Test Fixture

Comes with 1/2"-20 threaded adapter end. The fixture will accommodate up to 1.5" wide test specimens.

Constructed of stainless steel in accordance with ASTM D3167.

MODEL NO. ASTM.D3167.11

ASTM, FLOATING, ROLLER, PEEL, DRUM,

ACCESSORIES

Upper fixture attachment is supplied with 1/2" -20 female coupling (Common adapter sizes include:)

Model No. M01S21 - 1/2" Male Clevis (Type B) to 1/2" -20 Threaded Stud
Model No. M02S21 - 5/8" Male Clevis (Type C) to 1/2" -20 Threaded Stud
Model No. M03S21 - 1.25" Male Clevis (Type D) to 1/2" -20 Threaded Stud
Model No. M12S21 - 12mm Male Clevis (Type O) to 1/2" -20 Threaded Stud
Model No. S36S21 - 1" -14 to 1/2" -20 Threaded Step Stud
Model No. LN21 - 1/2" -20 Threaded Locking Nut with Knurled OD

SPARE PARTS

Contact us for spare or replacement parts

REFERENCE DOCUMENT AND TEST METHOD SCOPE:

<http://www.astm.org/Standards/D3167.htm>

ASTM D3167 - 10

Standard Test Method for Floating Roller Peel Resistance of Adhesives

1.1 This test method covers the determination of the relative peel resistance of adhesive bonds between one rigid adherend and one flexible adherend when tested under specified conditions of preparation and testing.

1.2 A variation in thickness of the adherends will generally influence the test values. For this reason, the thickness of the sheets used to make the test specimens shall be specified in the material specification. When no thickness is specified, the flexible adherend shall be 0.63 mm (0.025 in.) thick and the rigid adherend shall be 1.63 mm (0.064 in.) thick.

1.3 The values stated in SI units are to be regarded as the standard. The values given in parentheses are for information only.

1.4 This standard does not purport to address all of the safety concerns, if any, associated with its use. It is the responsibility of the user of this standard to establish appropriate safety and health practices and determine the applicability of regulatory limitations prior to use.

Extracted, with permission, from ASTM D3167 Standard Test Method for Floating Roller Peel Resistance of Adhesives, copyright ASTM International, 100 Barr Harbor Drive, West Conshohocken, PA 19482. A copy of the complete standard may be purchased from ASTM International, www.astm.org.