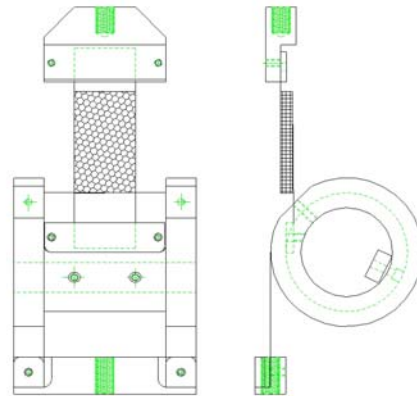


## LOW FORCE CLIMBING DRUM PEEL FIXTURE WITH FLAT FACED GRIPS



Specimen	Width	1.0" to 4.0"
	Thickness	0.030" to 1.0"
	Length	10.0"
Fixture	Construction	Aluminum drum and aluminum grips
	Temperature	-20 to 120°F (-29 to 49°C)
	Mounting	1.25" male clevis
	Capacity	500 lbs (2.2 kN)
	Weight	21 lbs Approximately
	Dimensions	Assembled 5" x 6" x 20"
	Standard	Manufactured in accordance with ASTM D1781 and BSS 7206

Model No. ASTM.D1781.12 - Low Force Climbing Drum Peel test fixture for peel adhesion strength testing. Fixture includes counter weighted aluminum climbing drum with flat face type specimen grip, loading straps, lower self aligning fixture mount and a flat face type specimen grip with adapter. (2) 1.25" male clevis adapters included to fit your test machine. Fixture is constructed from aluminum with a protective finish in accordance with ASTM D1781 and BSS 7206.

## **MODEL NO. ASTM.D1781.12**

### **ASTM, SANDWICH, PEEL, CLIMBING, DRUM,**

#### **ACCESSORIES**

**Upper and lower fixture attachment is supplied with 1" -14 female coupling. (Common adapter sizes include:)**

Model No. M03S36 - 1.25" Male Clevis (Type D) to 1" -14 Threaded Stud

Model No. S42S36 - 1.25" -12 to 1" -14 Threaded Step Stud

Model No. S48S36 - 1.5" -12 to 1" -14 Threaded Step Stud

Model No. S60S36 - 2" -12 to 1" -14 Threaded Step Stud

Model No. LN36 - Threaded Locking Nut with Knurled OD

#### **SPARE PARTS**

ACC.D1781.1201 - Replacement SS Straps Set of (2)

#### **REFERENCE DOCUMENT AND TEST METHOD SCOPE:**

SCOPE: <http://www.astm.org/Standards/D1781.htm>

ASTMD1781-98(2012)

Standard Test Method for Climbing Drum Peel for Adhesives

1.1 This test method covers the determination of the peel resistance of adhesive bonds between a relatively flexible adherend and a rigid adherend; and the relatively flexible facing of a sandwich structure and its core, when tested under specified conditions.

1.2 The values stated in SI units are to be regarded as the standard. The values given in parentheses are for information only.

1.3 This standard does not purport to address all of the safety concerns, if any, associated with its use. It is the responsibility of the user of this standard to establish appropriate safety and health practices and determine the applicability of regulatory limitations prior to use.

Extracted, with permission, from ASTM D1781 Standard Test Method for Climbing Drum Peel for Adhesives, copyright ASTM International, 100 Barr Harbor Drive, West Conshohocken, PA 19482. A copy of the complete standard may be purchased from ASTM International, [www.astm.org](http://www.astm.org).

*Material Testing Technology*

420 Harvester Court - Wheeling, IL. 60090 - Ph: (847) 215-7448 Fax: (847) 215-7449 E-mail: [sales@mtusa.net](mailto:sales@mtusa.net)