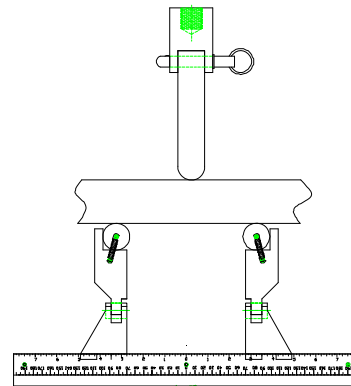
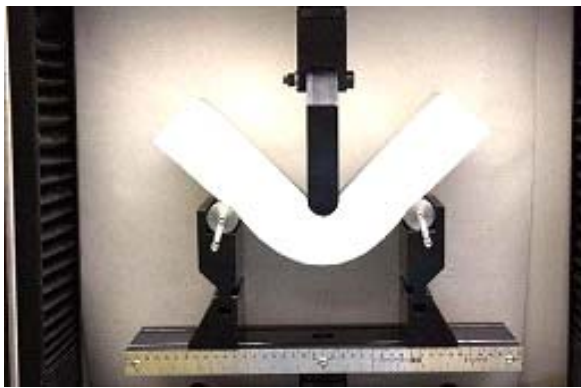


## THREE POINT FLEX FIXTURE FOR BLOCK-TYPE THERMAL INSULATION



**Model No.** ASTM.C0203.21      **Specimen Size or Difference Between Fixtures** Up to 5" wide and 14" long

**Construction**  
High strength steel

**Temperature**  
-120 to 250°F (-85 to 122°C)

Fixture:	Support Spans	Up to 12"
	Supports	Articulating supports with 1.25" diameter cylinders
	Mounting	1"-14 threaded couplings
	Capacity	2,500 lbs (11 kN)
	Weight	75 lbs
	Dimensions	16" x 5" x 17"
	Standard	Manufactured in compliance with ASTM C203

## **QUOTE**

Model No. ASTM.C0203.21 - 3 Point Flex Fixture for Block-Type Thermal Insulation

Flexure fixture accommodates spans up to 12" with 5" wide self-aligning three point loading head. Both five inch wide supports are articulating. Fixture comes with 1"-14 threaded couplings for mounting purposes and can hold a capacity of 2,500 lbs. Constructed from high strength steel with a protective black oxide finish. Manufactured in compliance with ASTM C203.

Specimen lower support span: Fully Adjustable from 1" -12"

Support Points: articulating supports with 1.25" diameter cylinders

Three point loading head: 1.25" diameter loading nose

Specimen widths: up to 5"

Maximum Displacement of midspan: 4"

## **ACCESSORIES**

No accessories available at this time

## **SPARE PARTS**

Please contact us for spare or replacement parts

## **COMMON SIZE ADAPTERS**

### **Upper and Lower Mounting: 1"-14 Threaded Coupling**

Model No. M03S36 - 1.25" Male Clevis to 1"-14 Threaded Stud

Model No. S42S36 - 1.25"-12 to 1"-14 Threaded Step Stud

Model No. S48S36 - 1.5"-12 to 1"-14 Threaded Step Stud

Model No. S60S36 - 2"-12 to 1"-14 Threaded Step Stud

Model No. LN36 - 1"-14 Threaded Locking Nut with Knurled OD